


PRODUCT SHEET

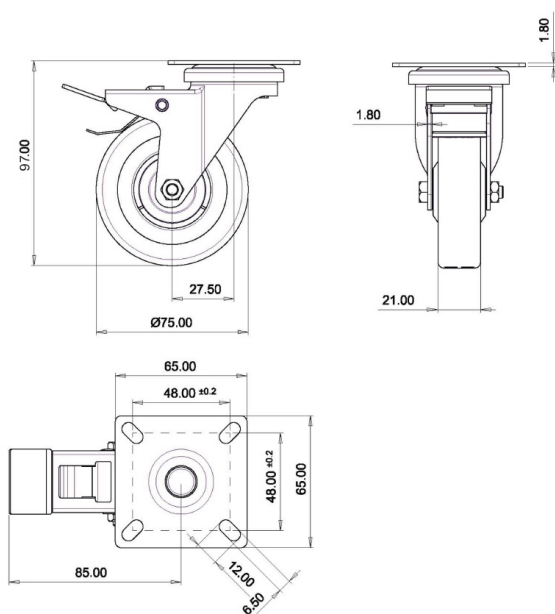
Description:

Fork Castor "Caesar" \varnothing 75mm, Grey PU Tyre, W/Full Brake & Top Plate: 60x60mm, cc: 46,2x46,2mm, \varnothing 8x6,4mm Screw Holes, All, Metal Zinc Plated, Mounthing Height: 97mm, Dynamic Load Cap.: 40Kg, Static: 60kg

Item number:

08.12.234-0

Units	Box	Carton	HS Code	Barcode
Pcs.			8302200090	
				5704866518321



SISO A/S

Mileparken 11
DK-2740 Skovlunde
Denmark
VAT: 24786013

Phone +45 45 830 900

www.siso.dk
siso@siso.dk

Danske Bank
Nytorv Branch
Copenhagen
SWIFT: DABADKKK

Account no.
4180 3112 112936
IBAN Account
DK7230003112112936